

CABIN AIR FILTER

IDENTIFICATION / INSTALLATION

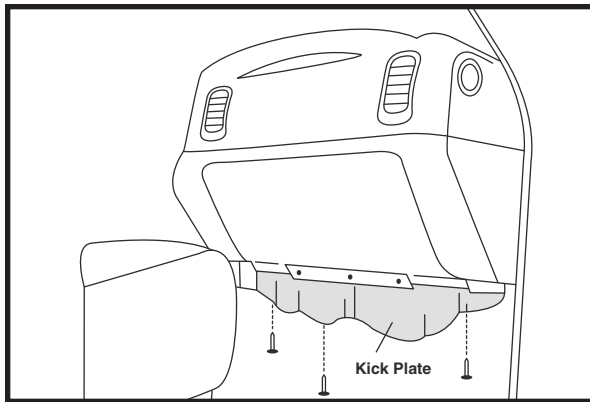
GM

AFC1114

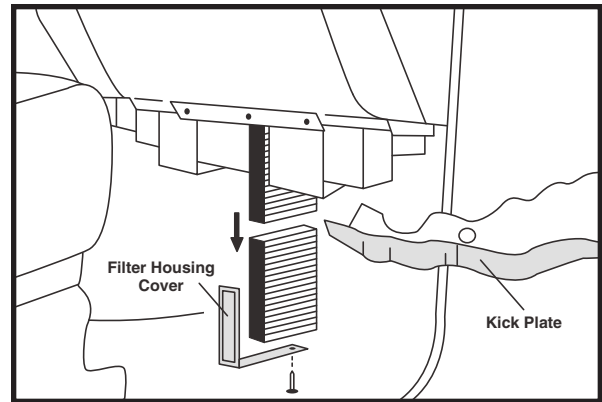
**Cadillac Escalade;
Chevrolet Avalanche, Silverado, Suburban, Tahoe;
GMC Sierra Series, Suburban, Yukon, Yukon Denali**



- OE:** 52485513
- Fits:** 2002-03 Cadillac Escalade
2002 Chevrolet Avalanche, GMC Yukon Denali
1999-2002 Chevrolet Silverado
2000-02 Chevrolet Suburban, Tahoe
1998-2002 GMC Sierra Series, Yukon
1998-99 GMC Suburban
- Size:** 9 11/32 x 5 7/16 x 29/32
(237.3 x 138.1 x 23.0)
- Note:** 2 Required per Vehicle (Sold as Set of 2)



1. Open passenger side door.
2. Remove screws on kick plate located under glove compartment.



3. Remove kick plate.
4. Remove screw on filter housing cover.
5. Remove filter housing cover.
6. Remove first filter by pulling straight down.
7. Slide second filter forward and then pull down.
8. Replace filters in reverse order and reassemble.

Notice: The information provided is based on the latest authoritative information available at press time. However, due to manufacturers' changes, and year and model variations, Hastings Premium Filters cannot be responsible for misapplications and instruction errors.



4400 East Highway 30 ■ P.O. Box 6006
Kearney, NE 68848-6006
PH: 800-887-8836 ■ FAX: 800-210-6906
Internet: www.hastingsfilter.com