

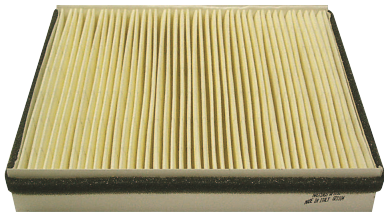
CABIN AIR FILTER

IDENTIFICATION / INSTALLATION

IMPORTS

AFC1152

**Mercedes-Benz ML55, ML320,
ML350, ML430, ML500**

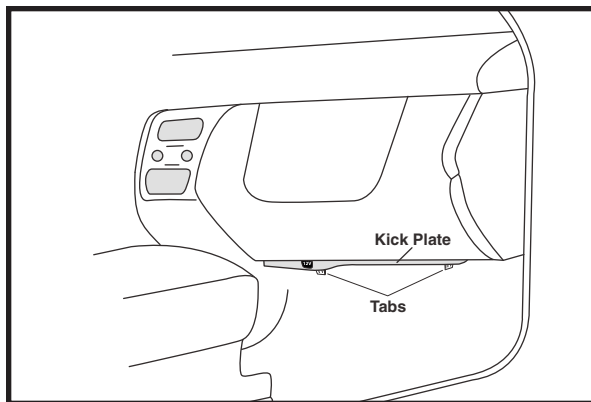


OE: 1638350047

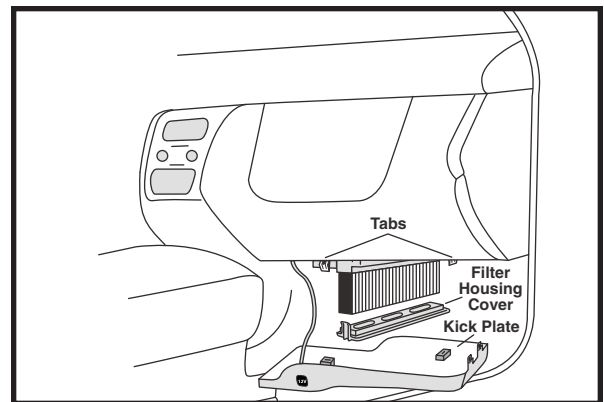
Fits: 2000-03 Mercedes-Benz ML55
1999-2003 Mercedes-Benz ML320
2003-06 Mercedes-Benz ML350
1999-2001 Mercedes-Benz ML430
2002-06 Mercedes-Benz ML500

Size: 9 11/32 x 8 1/2 x 1 17/32
(237.3 x 215.9 x 38.9)

A. Gskt.: [1] Attached



1. Open passenger side door.
2. Squeeze tabs and pull down to release kick plate located under glove compartment.



3. Remove kick plate. (Kick plate remains attached to 12 volt power adapter.)
4. Remove filter housing cover.
5. Replace filter and reassemble.

Notice: The information provided is based on the latest authoritative information available at press time. However, due to manufacturers' changes, and year and model variations, Hastings Premium Filters cannot be responsible for misapplications and instruction errors.



4400 East Highway 30 ■ P.O. Box 6006
Kearney, NE 68848-6006
PH: 800-887-8836 ■ FAX: 800-210-6906
Internet: www.hastingsfilter.com