

# CABIN AIR FILTER

## IDENTIFICATION / INSTALLATION

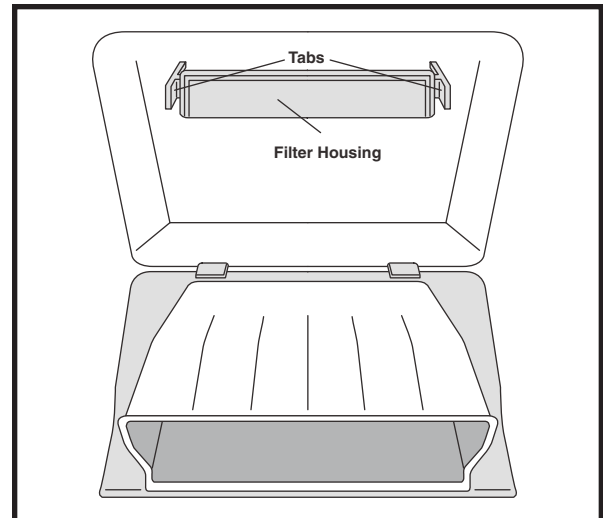
# IMPORTS

# AFC1252

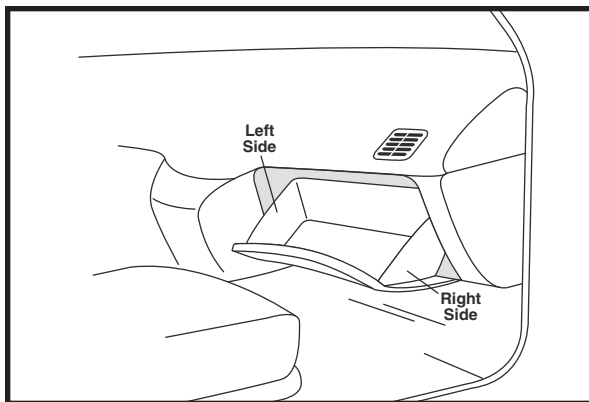
Scion tC, xA, xB;  
Toyota Echo, RAV4



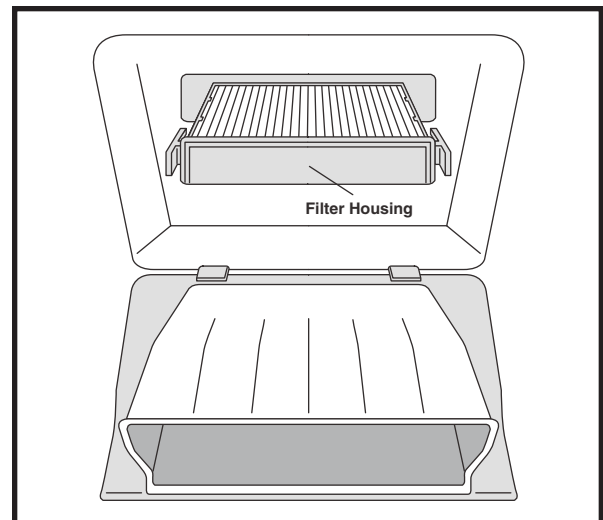
**OE:** 88568-52010  
**Fits:** 2005-10 Scion tC  
2004-06 Scion xA  
2004-07 Scion xB  
2000-05 Toyota Echo  
2001-05 Toyota RAV4  
**Size:** 8 1/2 x 7 11/16 x 5/8  
(215.9 x 195.3 x 15.9)



4. Flip down glove compartment.
5. Pull tabs on left and right sides of filter housing and remove.



1. Open passenger side door.
2. Open glove compartment.
3. Push in on left and right sides of glove compartment to release glove compartment.



6. Remove filter from filter housing.
7. Replace filter and reassemble.

**Notice:** The information provided is based on the latest authoritative information available at press time. However, due to manufacturers' changes, and year and model variations, Hastings Premium Filters cannot be responsible for misapplications and instruction errors.



4400 East Highway 30 ■ P.O. Box 6006  
Kearney, NE 68848-6006  
PH: 800-887-8836 ■ FAX: 800-210-6906  
Internet: [www.hastingsfilter.com](http://www.hastingsfilter.com)