

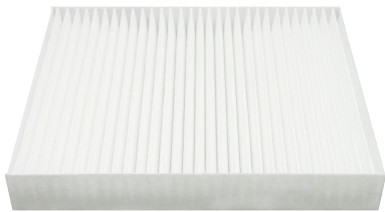
CABIN AIR FILTER

IDENTIFICATION / INSTALLATION

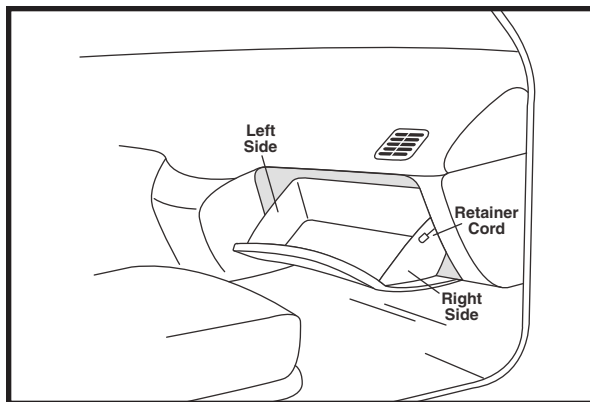
CHRYSLER

AFC1368

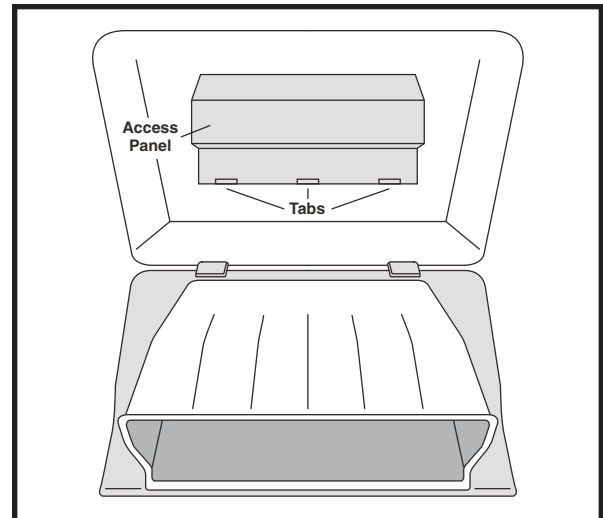
**Chrysler Town & Country;
Dodge Grand Caravan;
Infiniti EX35, FX35, G25, G37,
M35, M45, QX56;
Nissan GT-R;
Volkswagen Routan**



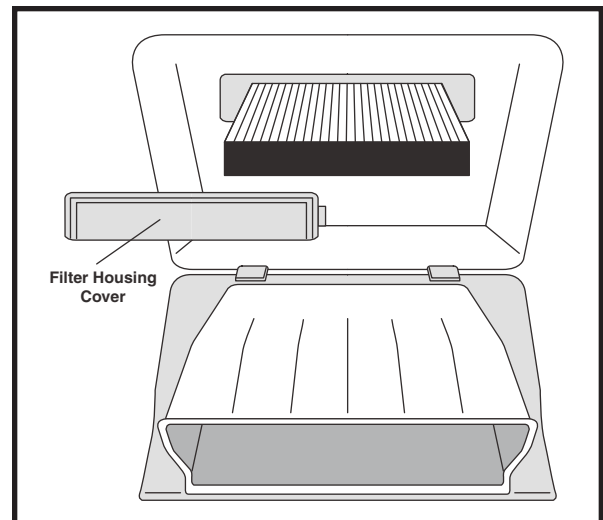
OE: 27277-EG025
Fits: 2008-10 Chrysler Town & Country, Dodge Grand Caravan
2008-on Infiniti EX35, G37
2010-on Infiniti FX35
2011 Infiniti G25, QX56, Volkswagen Routan
2006-10 Infiniti M35, M45
2009-on Nissan GT-R
Size: 9 x 7 13/16 x 1 1/4
(228.6 x 198.4 x 31.8)



1. Open passenger side door.
2. Open glove compartment.
3. Push in on left and right sides of glove compartment to release glove compartment.
4. Release retainer cord from glove compartment.



5. Flip down glove compartment.
6. Pull tabs to flip up access panel.



7. Remove filter housing cover.
8. Replace filter and reassemble.

Notice: The information provided is based on the latest authoritative information available at press time. However, due to manufacturers' changes, and year and model variations, Hastings Premium Filters cannot be responsible for misapplications and instruction errors.



4400 East Highway 30 ■ P.O. Box 6006
Kearney, NE 68848-6006
PH: 800-887-8836 ■ FAX: 800-210-6906
Internet: www.hastingsfilter.com