

CABIN AIR FILTER

IDENTIFICATION / INSTALLATION

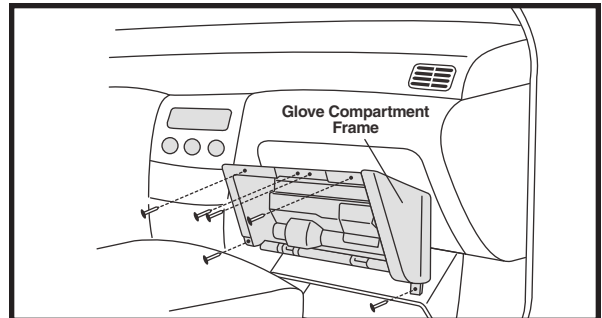
IMPORTS

AFC1392

**Infiniti QX4;
Nissan Altima, Pathfinder**

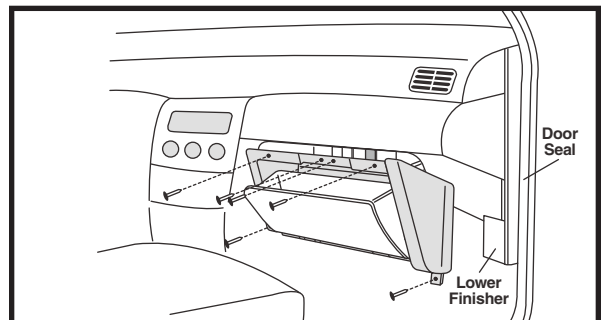


OE: 27274-7J125, 999M1VP003
Fits: 1997-2003 Infiniti QX4
1999-2001 Nissan Altima
1999-2004 Nissan Pathfinder
Size: 10 21/32 x 4 1/4 x 15/16
(270.7 x 108.0 x 23.8)
A. Gskt.: [1] Attached to Each Filter
Note: 2 Required per Vehicle (Sold as Set of 2)



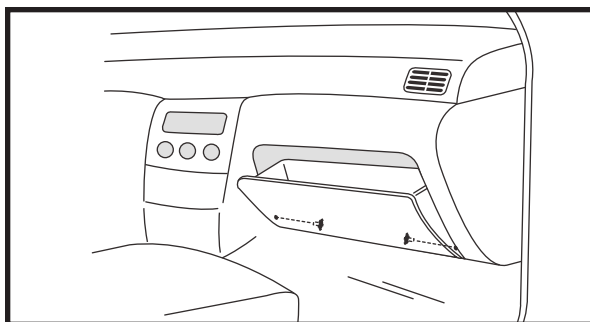
On Pathfinder Models:

- Flip down glove compartment.
- Remove screws from glove compartment frame.
- Remove glove compartment frame.



On Altima Models:

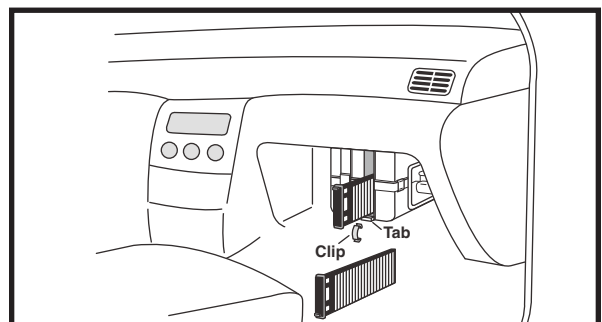
- Remove door seal.
- Remove lower finisher.
- Remove screws from glove compartment.
- Remove glove compartment.



1. Open passenger side door.

On Pathfinder Models:

- a. Remove hinge pins.



2. Remove clip on tab.
3. Remove first filter.
4. Slide second filter down and then out.
5. Replace filters in reverse order and reassemble.

Notice: The information provided is based on the latest authoritative information available at press time. However, due to manufacturers' changes, and year and model variations, Hastings Premium Filters cannot be responsible for misapplications and instruction errors.



4400 East Highway 30 ■ P.O. Box 6006
Kearney, NE 68848-6006
PH: 800-887-8836 ■ FAX: 800-210-6906
Internet: www.hastingsfilter.com